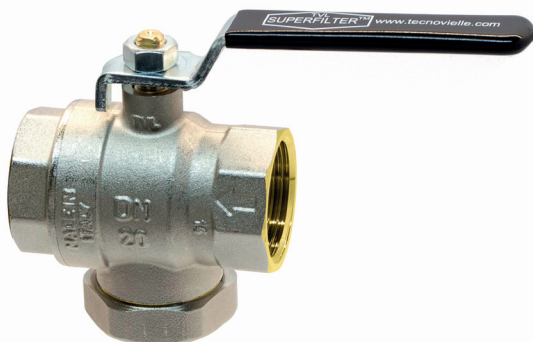




**Valve with magnet:
clean system guaranteed!**



TVL SUPERFILTER



SUPERFILTER ball valves

SUPERFILTER is a two-way valve that allows to **filter metallic and non-metallic impurities** that may be present inside the system.

A **500 micron filter** assembled inside the valve body (and easy to maintain), makes it possible to filter the fluid, safeguarding and keeping the whole system clean.

The version with filter and **magnet** (made of neodymium with a power of **12.000 gauss**) allows to collect both ferrous and muddy impurities.

To clean the valve it is enough to close it, turn the locking ring screwed onto the lower part, remove the filter and clean it.

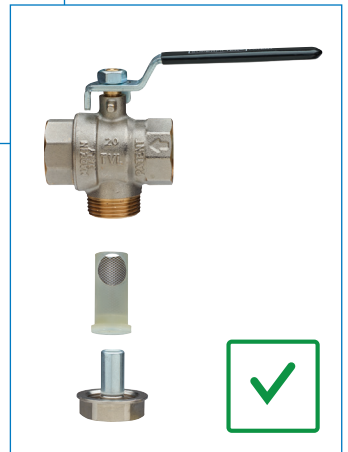
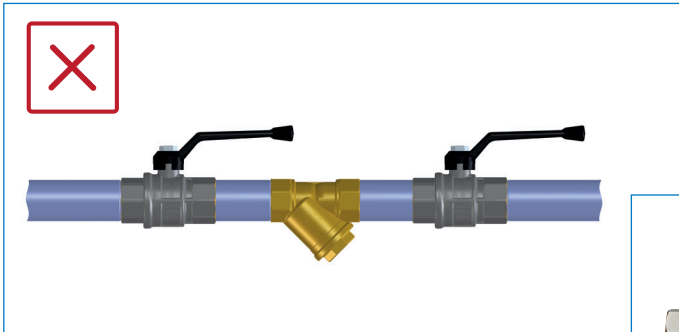
A mix of practicality and reliability to protect all components of the system.



VIDEO

Advantages

- 12.000 gauss neodymium lasting magnet.
- Good flow performance and little pressure drops.
- Maximum pressure 30 bar (PN30).
- Versatility of installation: it can be arranged horizontally, vertically, obliquely.
- Easy cleaning with minimal fluid spillage.
- Filtering of ferrous and non-ferrous impurities, preserving the system.
- Optimized spaces and installation times.





Technical Data

SUPERFILTER valves have F/F threads in compliance with UNI ISO 228/1 standard. In systems with a lot of ferrous impurities, it is advisable to mount the valve with a built-in 12.000 gauss magnet. The 500 micron filter, which is easy to maintain, is already an excellent protection tool for all downstream system components.

Temperature range



From -20°C to +100°C

Range

The range consists of valves with filter and valves with filter and magnet. Versions with steel handle and steel T-handle are available for both families. Available sizes: from 1/2" to 2" with filter, from 3/4" to 2" with filter and magnet.

Applications



DRINKING
WATER



HEATING



HVAC

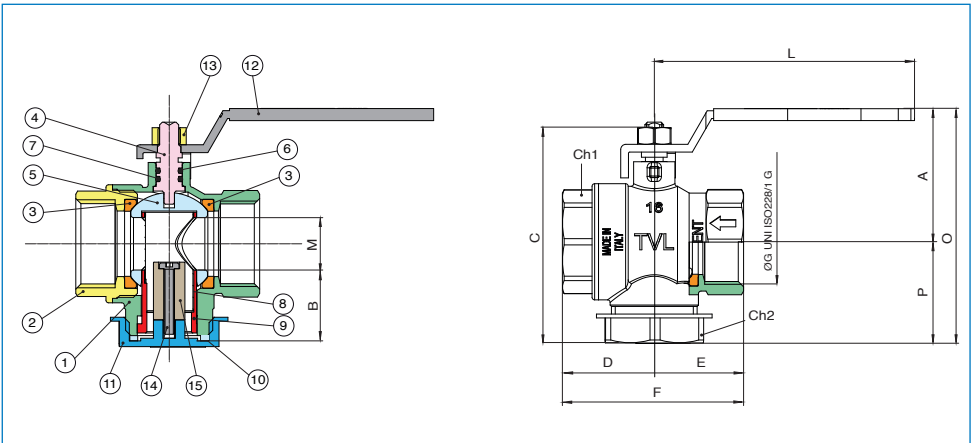


serie SUPERFILTER

Art. 310410



SUPERFILTER ball valve with **built-in filter and magnet**, F/F UNI ISO 228/1 thread, steel handle.



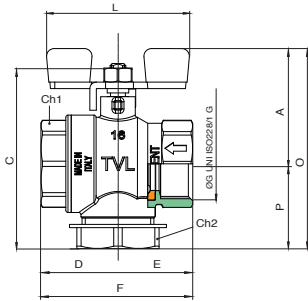
POS.	PART NAME	MATERIAL	N°P
1	BODY	Brass CW617N-UNI EN 12165	1
2	END CONNECTION	Brass CW617N-UNI EN 12165	1
3	BALL SEAT	PTFE	2
4	STEM	Brass CW614 UNI EN 12164	1
5	BALL	Brass CW617N-UNI EN 12165 chrome plated	1
6	O-RING	NBR	1
7	O-RING	FKM	1
8-9	FILTER	AISI 304+Nylon	1
10	SEAT	NBR	1
11	PLUG	Brass CW614 UNI EN 12164	1
12	HANDLE	Zinc plated steel	1
13	NUT	Zinc plated steel	1
14	SCREW	Inox	1
15	MAGNET	Neodimium (12.000 gauss) NdFeB	1

SIZE	DN	CODE	A	B	C	D	E	F	L	O	P	Ch1	Ch2	PN
3/4"	16	31041005	47,4	30,9	73,58	29	32,3	61,3	100	82,5	35,1	31	30	30
1"	20	31041006	50,8	34,5	80,5	34,5	35,6	70,1	100	89,5	38,7	38	38	30
1 1/4"	28	31041007	74	46,5	106	40	45	85	158	125,5	51,5	48	46	20
1 1/2"	36	31041008	80	52,5	118	45,5	52	97,5	158	137,5	57,5	54	55	20
2"	46	31041010	88,5	63,5	143	54	63	117	158	157	68,5	66	65	20



Art. 310420

SUPERFILTER ball valve with **built-in filter and magnet**, F/F UNI ISO 228/1 thread, steel T-handle.



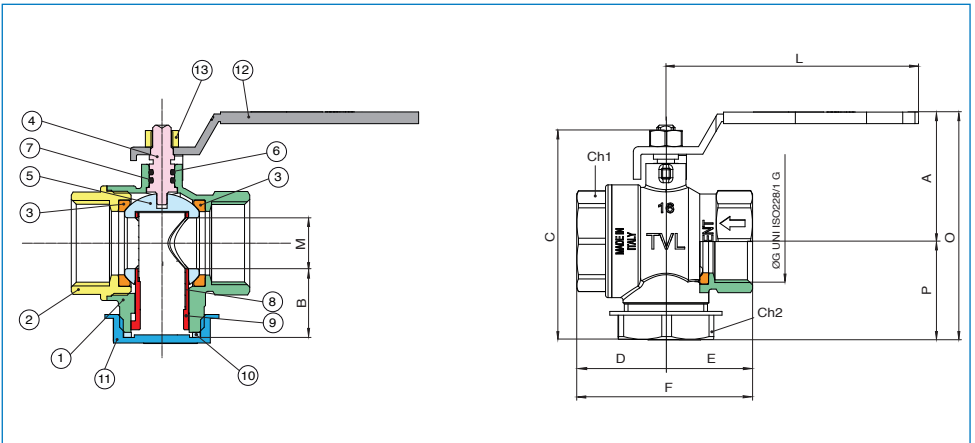
SIZE	DN	CODE	A	C	D	E	F	L	O	P	Ch1	Ch2	PN
3/4"	16	31042005	47,4	73,58	29	32,3	61,3	100	82,5	35,1	31	30	30
1"	20	31042006	50,8	80,5	34,5	35,6	70,1	100	89,5	38,7	38	38	30

serie SUPERFILTER

Art. 310210



SUPERFILTER ball valve with **built-in filter**, F/F UNI ISO 228/1 thread, steel handle.



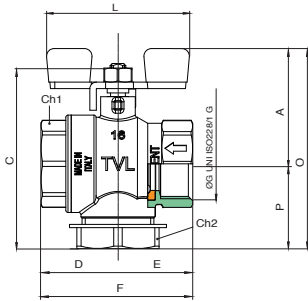
POS.	PART NAME	MATERIAL	N°P
1	BODY	Brass CW617N-UNI EN 12165	1
2	END CONNECTION	Brass CW617N-UNI EN 12165	1
3	BALL SEAT	PTFE	2
4	STEM	Brass CW614 UNI EN 12164	1
5	BALL	Brass CW617N-UNI EN 12165 chrome plated	1
6	O-RING	NBR	1
7	O-RING	FKM	1
8-9	FILTER	AISI 304+Nylon	1
10	SEAT	NBR	1
11	PLUG	Brass CW614 UNI EN 12164	1
12	HANDLE	Zinc plated steel	1
13	NUT	Zinc plated steel	1

SIZE	DN	CODE	A	B	C	D	E	F	L	O	P	Ch1	Ch2	PN
1/2"	12	31021004	44,2	66,2	24	26,7	50,7	100	75,2	31	25	24	30	30
3/4"	16	31021005	47,4	30,9	73,58	29	32,3	61,3	100	82,5	35,1	31	30	30
1"	20	31021006	50,8	34,5	80,5	34,5	35,6	70,1	100	89,5	38,7	38	38	30
1 1/4"	28	31021007	74	46,5	106	40	45	85	158	125,5	51,5	48	46	20
1 1/2"	36	31021008	80	52,5	118	45,5	52	97,5	158	137,5	57,5	54	55	20
2"	46	31021010	88,5	63,5	143	54	63	117	158	157	68,5	66	65	20

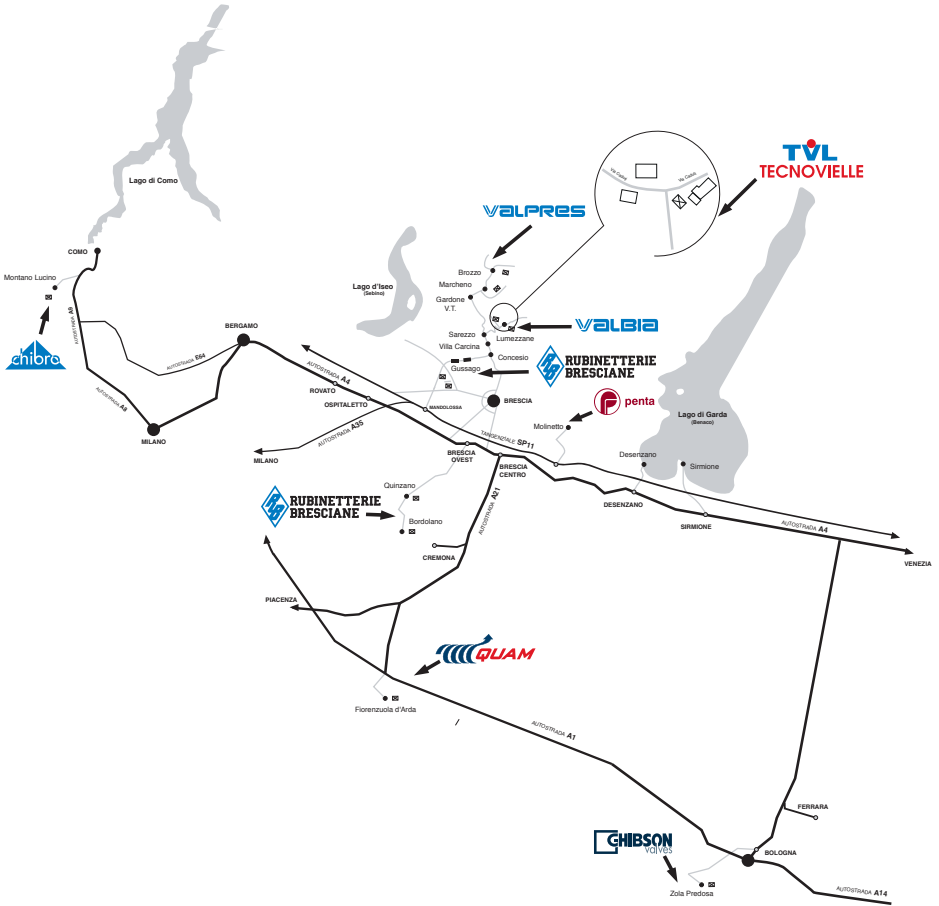


Art. 310220

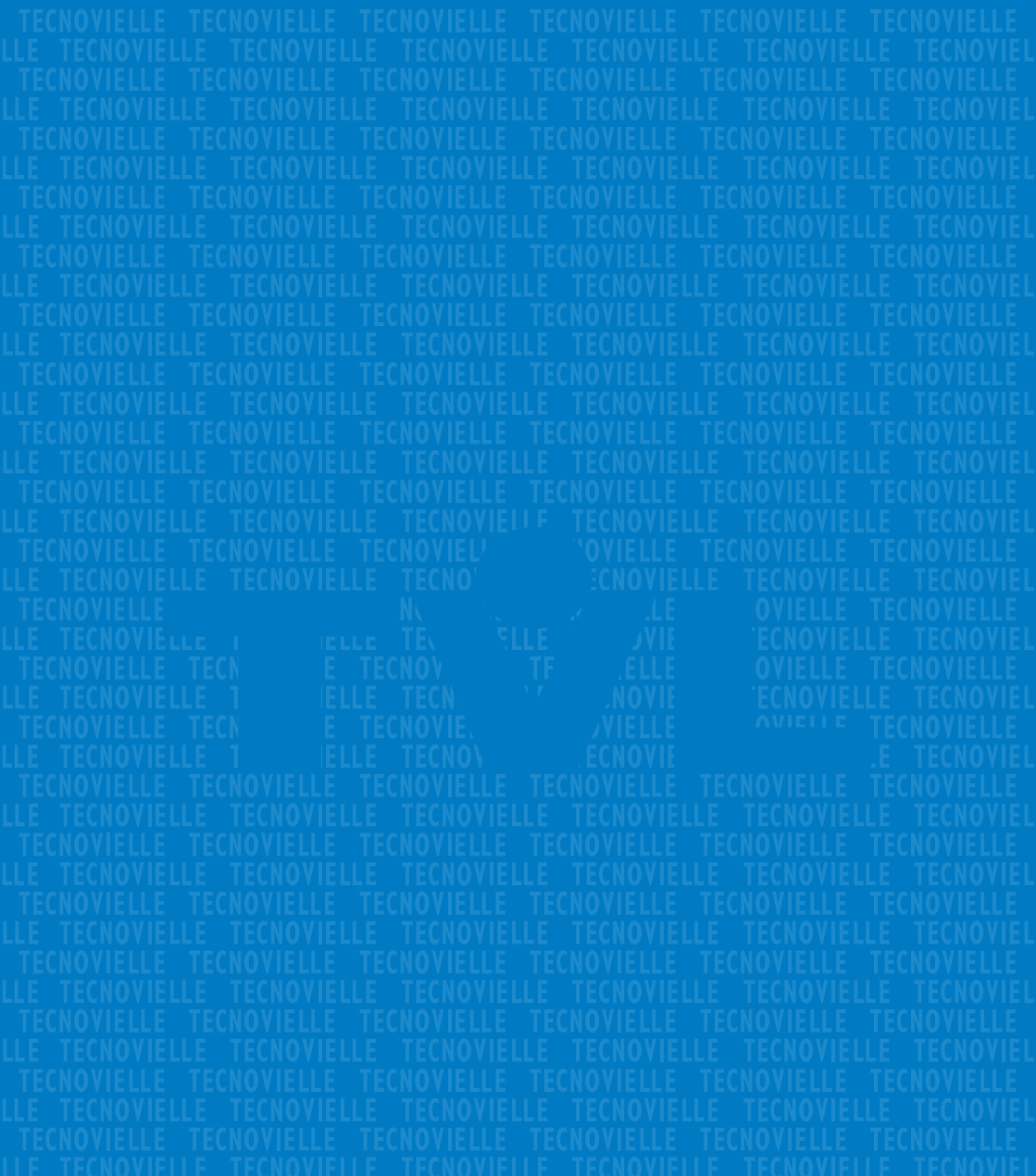
SUPERFILTER ball valve with **built-in filter**, F/F UNI ISO 228/1 thread, steel T-handle.



SIZE	DN	CODE	A	C	D	E	F	L	O	P	Ch1	Ch2	PN
1/2"	12	31022004	44,2	66,2	24	26,7	50,7	100	75,2	31	25	24	30
3/4"	16	31022005	47,4	73,58	29	32,3	61,3	100	82,5	35,1	31	30	30
1"	20	31022006	50,8	80,5	34,5	35,6	70,1	100	89,5	38,7	38	38	30







TECNOVIELLE S.p.A.

Via Caduti, 2 - 25065 Lumezzane (BS) Italia

N. 45° 39' 29.1" - E. 10° 14' 46.5"

Tel. +39 030 8970600 - Fax +39 030 872945

www.tecnovielle.it - E-mail info@tecnovielle.it



CAT231102

© TECNOVIELLE S.p.A. 2023 All rights reserved  and  are registered trademarks.

To ensure the quality and technical standards at the highest level, the manufacturer reserves the right to alter the specifications without notice.
This documentation supersedes and replaces all previous editions.